

Magnifiers



PB.5044



PB.5046



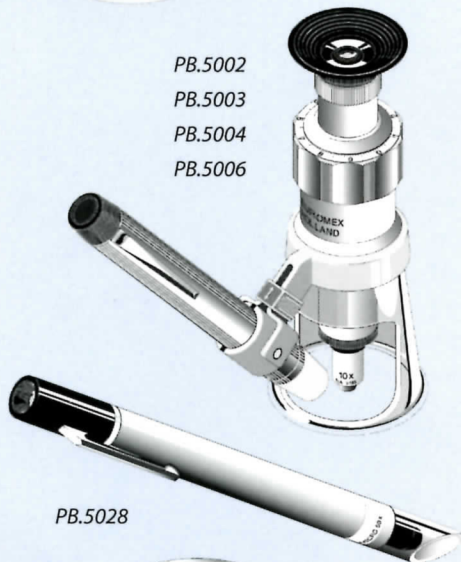
PB.5048

PB.5002

PB.5003

PB.5004

PB.5006



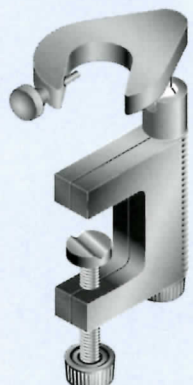
PB.5028



MT.5500



MT.5503



MT.5504

Measuring magnifiers

Measuring magnifiers are commonly used in the textile industry, graphical, fine mechanical and electronic industries. All lenses are anti-reflection coated. Achromatic with 3 or 4 lenses, mounted in 2 stages. Adjustable eyepiece. Supplied with leather case.

- PB.5044** Measuring magnifier 7x. Eyepiece Ø18 mm. Field of view 24 mm. Measuring scale 10-0-10 mm divided into 0.1 mm and cross-hair
- PB.5045** Identical to PB.5044 but with 5 different measuring scales for length, angle and thickness measurements
- PB.5046** Measuring magnifier 10x. Eyepiece Ø20 mm. Field of view 35 mm. Measuring scale 15-0-15 mm divided into 0.1, 0.2 or 0.5 mm and cross-hair
- PB.5048** Anastigmatic measuring magnifier 25-0-25 mm divided into 0.1 mm and cross-hair. Field of view 56 mm. Ideal for microfilm and lithography. Without case

Measuring and pocket microscopes

Measuring microscopes are used as universal measuring tools in graphical, fine mechanical and electronic industries. These small instruments are equipped with quality achromatic objectives and adjustable micrometer eyepieces. The field of view is well illuminated with an adjustable light source.

- PB.5002** Measuring microscope 20x. Field of view 7.2 mm*
- PB.5003** Measuring microscope 40x. Field of view 3.8 mm*
- PB.5004** Measuring microscope 100x. Field of view 1.45 mm*
- PB.5006** Measuring microscope 200x. Field of view 0.70 mm*
- PB.5028** Pocket microscope with achromatic objective. Magnification 50x. Field of view 2 mm. Without scale and without light source. Supplied with leather case

** Equipped with eyepiece with micrometer scale, divided into 0.1 mm and a battery powered light source. Supplied with leather case.*

Hand-held microtomes

- MT.5500** Cylinder microtome. Round stage Ø70 mm with flat black glass top. Height adjustable with micrometer division 0.01 mm. Complete with plano-concave knife PB.5106 and wooden cabinet
- MT.5501** Cylinder microtome. Identical to MT.5500 but without knife and wooden cabinet
- MT.5503** Hand-held microtome, box type with table clamp and razor blade holder. Thickness adjustment by 0.025 mm intervals. Complete with wooden cabinet
- MT.5504** Fixture with table clamp for microtome MT.5500 or MT.5501

On request we can send our brochure for rotary and sliding microtomes.

Metascientific.com

email: info@metascientific.com

Tel-Fax 01767 260295